



REGD. TRADE MARK

ALMONARD

ELECTRIC STORAGE WATER HEATERS

IDEAL FOR
HIGH-RISE
BUILDINGS



6 LITRE

*Supreme
High Tech*



10 LITRE



15 LITRE



25 LITRE

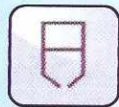
AN ISO 9001-2008 CERTIFIED COMPANY

Almonard presents the Supreme High-Tech range of water heaters incorporated with latest technologies and advanced safety features. These water heaters are made out of ABS Plastic which eliminates the possibility of rust or corrosion.

SPECIAL FEATURES



Blue Diamond enamel coating on inner tank prevents corrosion.



Exclusive single weld line on inner tank.



Multi functional safety valve acts as a pressure release valve, non return valve, an anti Vacuum valve, and drainage facility.



Incobly glass lined heating element prevents formation of scale.



High precision thermostat switches off the power supply if temperature of water exceeds the pre-set temperature of 75°C



Pre-set thermal cutout cuts off power supply if any fault occurs, ensures the safety of water heater.



Withstands upto 8 bar of high water pressure suitable for high-rise buildings.



Thick PUF insulation saves energy upto 40%.

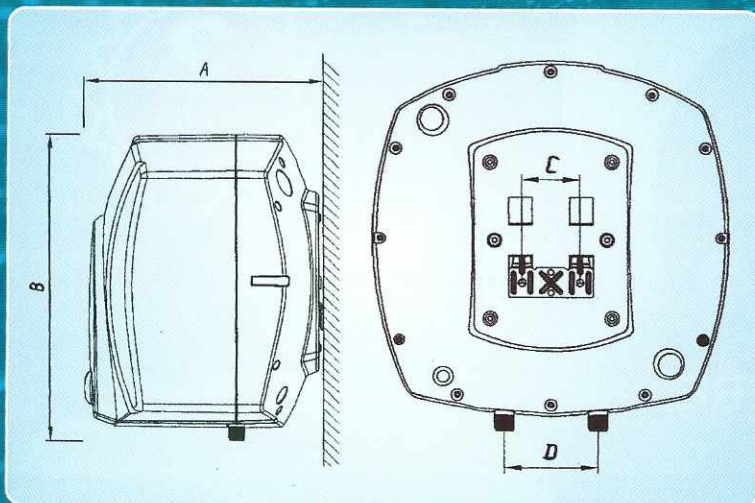


Heavy duty magnesium anode provides extra protection.



Adjustable knob for temperature control from 25°C to 75°C

Note : Design, Specification and Technical Characteristics are subject to change without notice.



TECHNICAL SPECIFICATION

Capacity Litres	Rated Max. Temp.	Rated Pressure (Bar)	Rated Voltage (Volts)	Rated Power (Watts)
6	75°C	8	230	2000
10	75°C	8	230	2000
15	75°C	8	230	2000
25	75°C	8	230	2000

MOUNTING DIMENSIONS IN MM

Capacity Litres	A	B	C	D
6	255	312	62	100
10	263	385	62	100
15	305	386	62	100
25	350	455	62	100

AN ISO 9001-2008 CERTIFIED COMPANY

ALMONARD PRIVATE LIMITED

305, Kakad Chambers, 3rd Floor, 132, Dr. Annie Besant Road, Worli, Mumbai-400018.

Tel. : 022-2492 6552, 2490 3463, 2490 2269, 2490 3094 • Fax : 022-2490 3760 • E-mail : almonard@bom7.vsnl.net.in • Website : www.almonard.co.in

VADODARA Works : 852/2 & 853/1 GIDC, Makapura, Vadodara - 390010. • Tel. : 0265-2633264 • Fax : 0265-2656330

CHENNAI Off. & Works : 439/3B, Ekambara Naicker Industrial Estate, Off Arcot Road, Alapakkam, Porur, Chennai-600 116.

Tel. : 044-2476 2100, 2476 2030, 2476 1424 • Fax : 044-2476 2627 • E-mail : almonard@md5.vsnl.net.in



REGD. TRADE MARK

PUNE :

Shop No. 3, Singhad Darshan, Survey No.14, Singhad Road, Vadgaon Khurd, Pune - 411 041. Tel. : 020-24390442

BHUBANESHWAR :

Plot No. S-3/17, Sector-A, Zone-B, Mancheswar Ind. Estate, P.O. Rasulgarh, Bhubaneswar - 751010. Telefax : 0674-2587767/2587757

BANGALORE :

315C, P & J Compound, Sunkadkatte, Chairman Kariyanna Indl. Estate, Bangalore - 560091. Tel. : 080-23281991 Telefax : 080-23281989

NAGPUR :

Venkatesh Apartment, 193, Trimurtinagar, Square Ring Road, Nagpur - 440 022. Telefax : 0712-223 6822

SECUNDERABAD :

5-5-33/23C, Prashanti Nagar, Kukatpally, Secunderabad - 500 072. Telefax : 040-23070062/23070087

HUBLI :

Plot No. C-219, MT Sagar Ind. Estate, 1st Gate, Gokul Rd., Airport Rd., Hubli - 580030. Telefax : 0836-2237959

AHMEDABAD :

212, 2nd Floor, Nalanda Enclave, Opp. Hotel Chicago, Elisbridge, Ahmedabad - 380 006. Telefax : 079-2658 4876

VIJAYAWADA :

D. No. 1-4-290-A, R.T.C. Workshop Road, Bhavanipuram, Vijayawada - 520 012. T/F - 0866-2416046 Tel. : 2561946

INDORE :

50, Vishnupuri Main, A. B. Road, Indore - 452 001. Telefax : 0731-2464676 / 2440730

SURAT :

House No. 14, Shree Saideep, Patel Faliya, Village Saroli, Surat-Kadodara Road, Surat - 395 015. Tel. : 0261-2644253

VISAKHAPATNAM :

Door No. 49-46-4, N.T. School Road, Akkayyapalem, Visakhapatnam - 530 016. Tel./Fax : 0891-2765826

DELHI :

Plot No. 420, Functional Ind. Estate, Patparganj Industrial Area, Delhi - 110 092. Telefax : 011-22156143/22156154

COCHIN :

Door No. 36/3057, Thammanam Pullepaddy Road, Cochin - 682 017. Tel. : 0484-2331891 Fax : 2344150

MADURAI :

7-A, Ratnasamy, Nadar Road, Chokkikulam, Madurai - 625 002. Tel. : 0452-2533808 Fax : 0452-2520303

JAIPUR :

D-18-A-1, Meera Marg, Bani Park, Jaipur - 302 016. Tel. : 0141-2200152 Telefax : 0141-2207982

CALICUT :

Raj Bhavan, 25/975, O. K. Road, Thiruvananthapuram P.O., Calicut - 673 029. Tel. : 0495-2323672

COIMBATORE :

11, Captain Palaniswamy Layout, Thadagam Road, Coimbatore - 641 002. Telefax : 0422-2451811

KANPUR :

16-71, B Civil Line, Near Income Tax Office, Kanpur - 208 001. (U.P.) Telefax : 0512-2306238